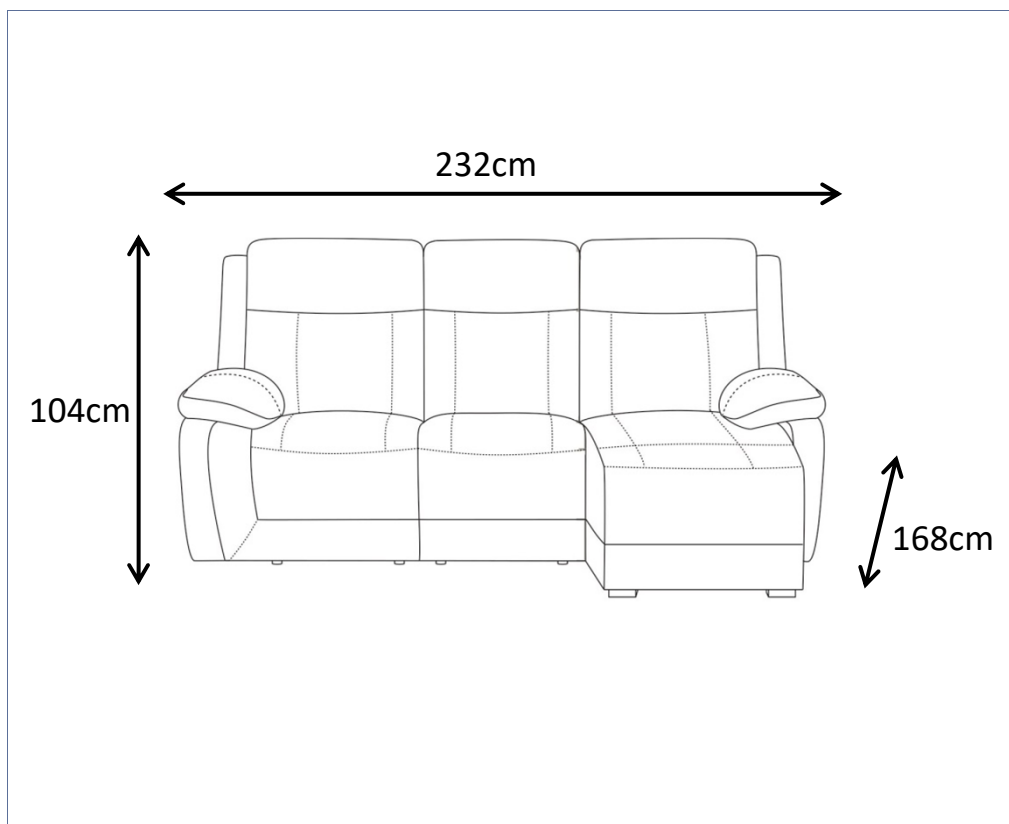




ASSEMBLY INSTRUCTION  
SAN MARCO 3 SEATER CHAISE  
ITEM CODE 62541

Imported by Amart Furniture Pty Ltd, Qld, Brisbane Australia.  
For any assistance with assembly or for missing parts please phone  
Amart Furniture, Customer Service Free call 1800 351 084





Imported by Amart Furniture Pty Ltd, Qld, Brisbane Australia.  
For any assistance with assembly or for missing parts please phone  
Amart Furniture, Customer Service Free call 1800 351 084

## PRE-ASSEMBLY PREPARATION

### Before you start:

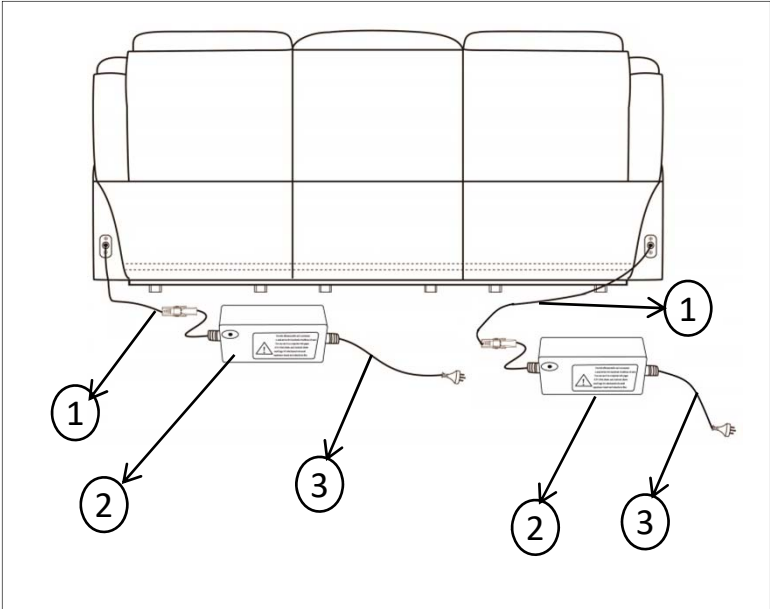
1. Choose a clean, level, spacious assembly area. Avoid hard surfaces that may damage the product
2. Take care when lifting. Product should be assembled as near as possible to the point of use
3. Ensure that you have all required contents for complete assembly
4. Always read the assembly instructions carefully before beginning assembly.
5. Keep all hardware parts and packaging out of reach of small children.
6. Do not over tighten the screws and bolts as this may damage the threads

	
ALLOW 15MINUTES	PEOPLE REQUIRED
ADDITIONAL TOOLS REQUIRED	

### **WARNING**

- Do Not allow children to play on this mechanised furniture or operate the mechanism. Leg rest folds down on closing so that a child could possibly be injured. Always leave in an upright and closed position. Keep hands and feet clear of mechanism. Only the occupant should operate it.

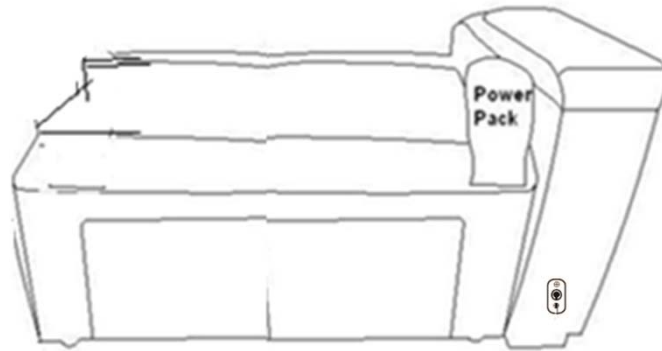
# PARTS LIST



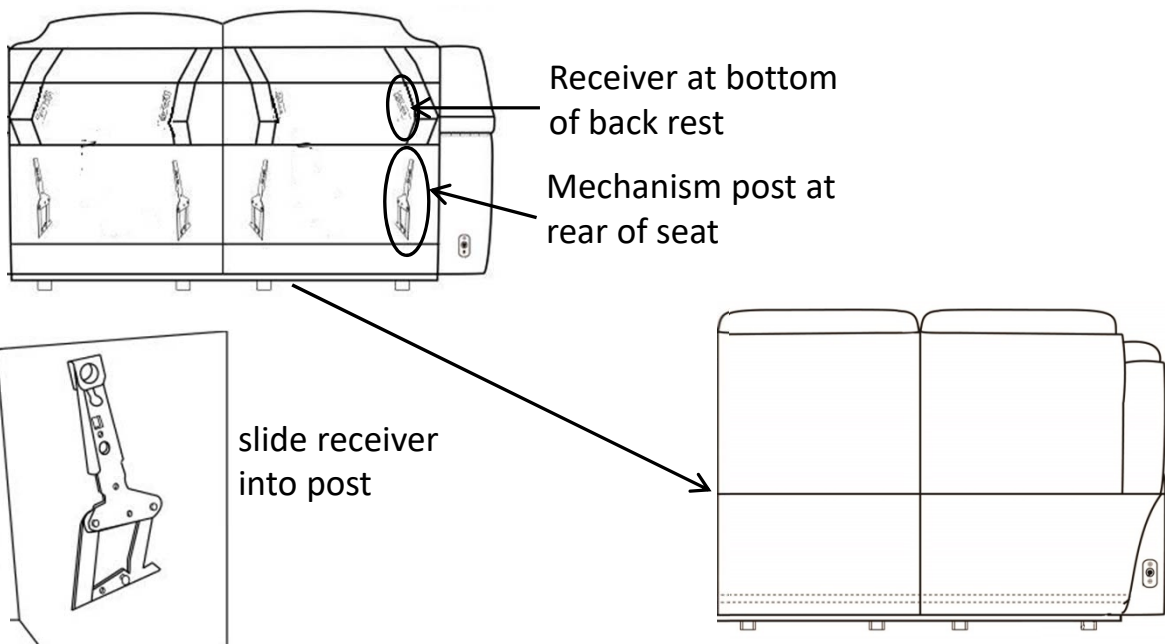
1	TRANSFORMER CABLE
2	TRANSFORMER
3	POWER CABLE

<p>2 X (1)</p>	<p>2 X (2)</p>	<p>2 X (3)</p>

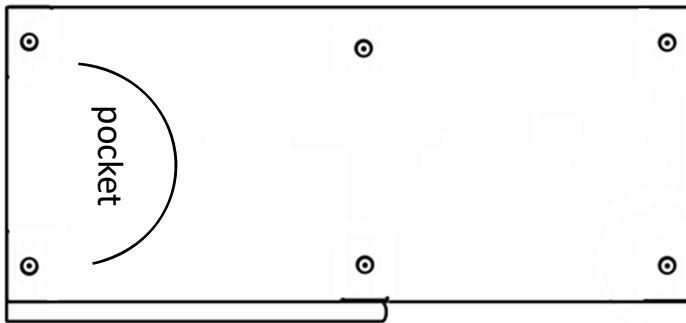
Step1: Locate power pack which is attached to the post at rear base of left hand facing electric seat.






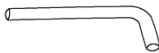


Step2: Slide back receivers into steel mechanism posts in the base of the furniture, and then press both sides of the each back firmly into place to ensure every back automatically locks in place.



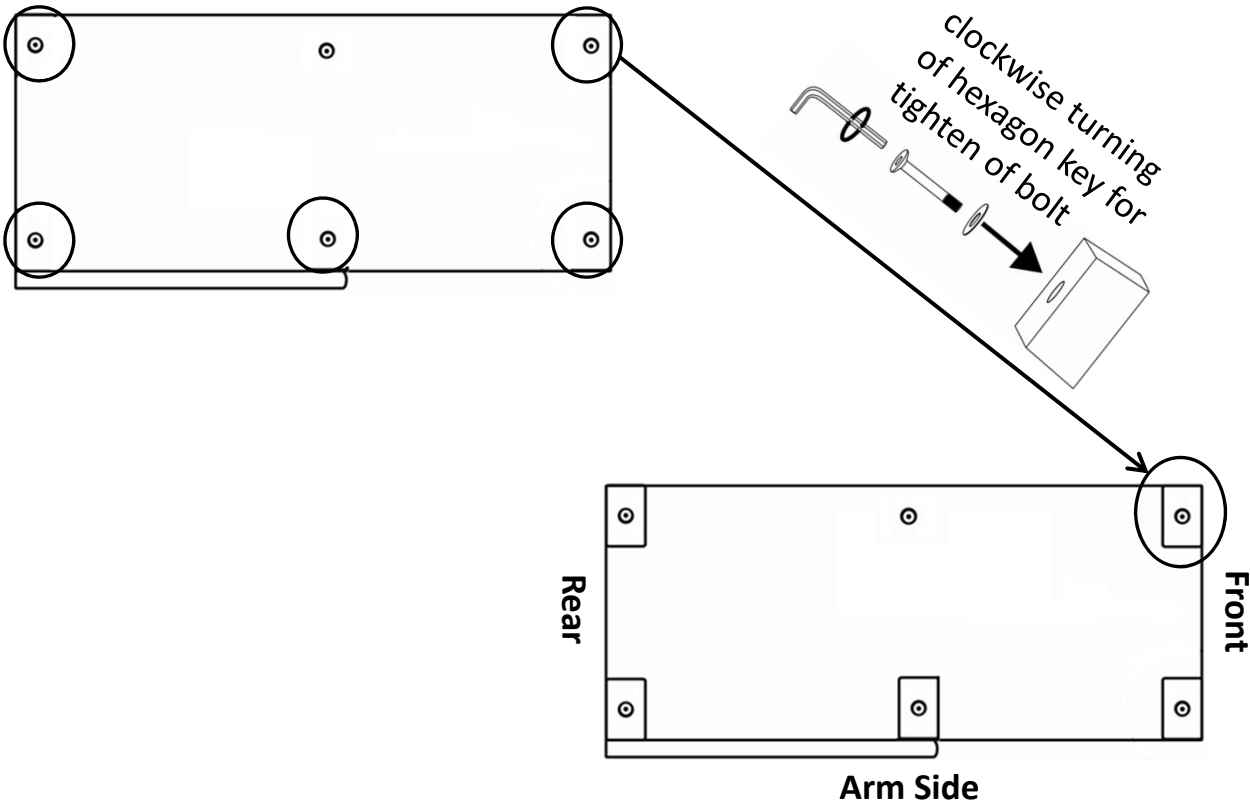
Step3: Locate package of sofa legs and hardware that is placed into zipper pocket at the bottom of right hand facing chaise.



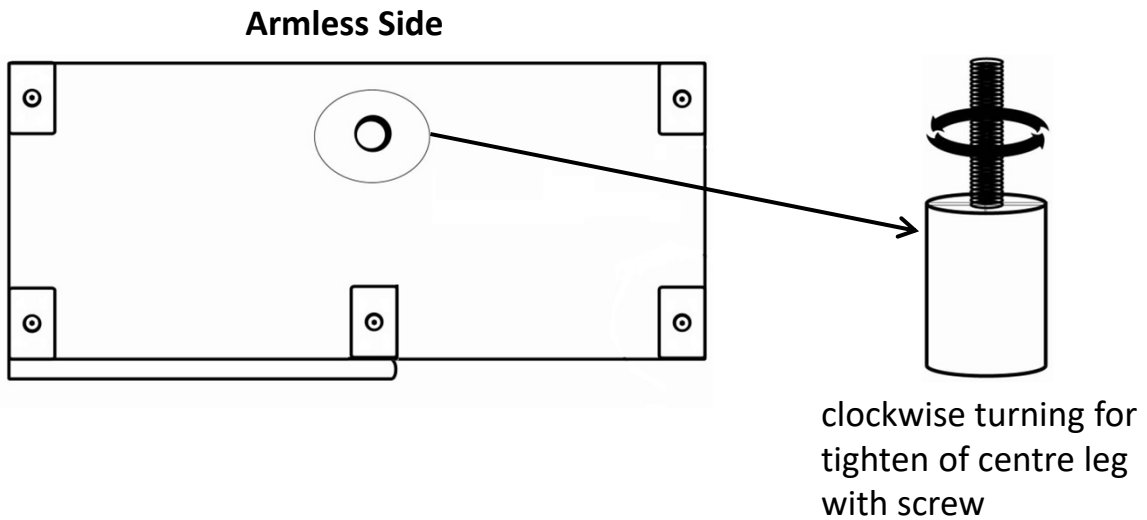
 With 2 people carefully turn onto back on piece of cardboard or carpet to protect covering

<p>Bolt M8X70</p>  <p>5pcs</p>	<p>Washer</p>  <p>5pcs</p>	<p>Hexagon key</p>  <p>1pcs</p>	<p>Centre leg</p>  <p>1pcs</p>	<p>Side leg</p>  <p>5pcs</p>
---	---	--	--	---

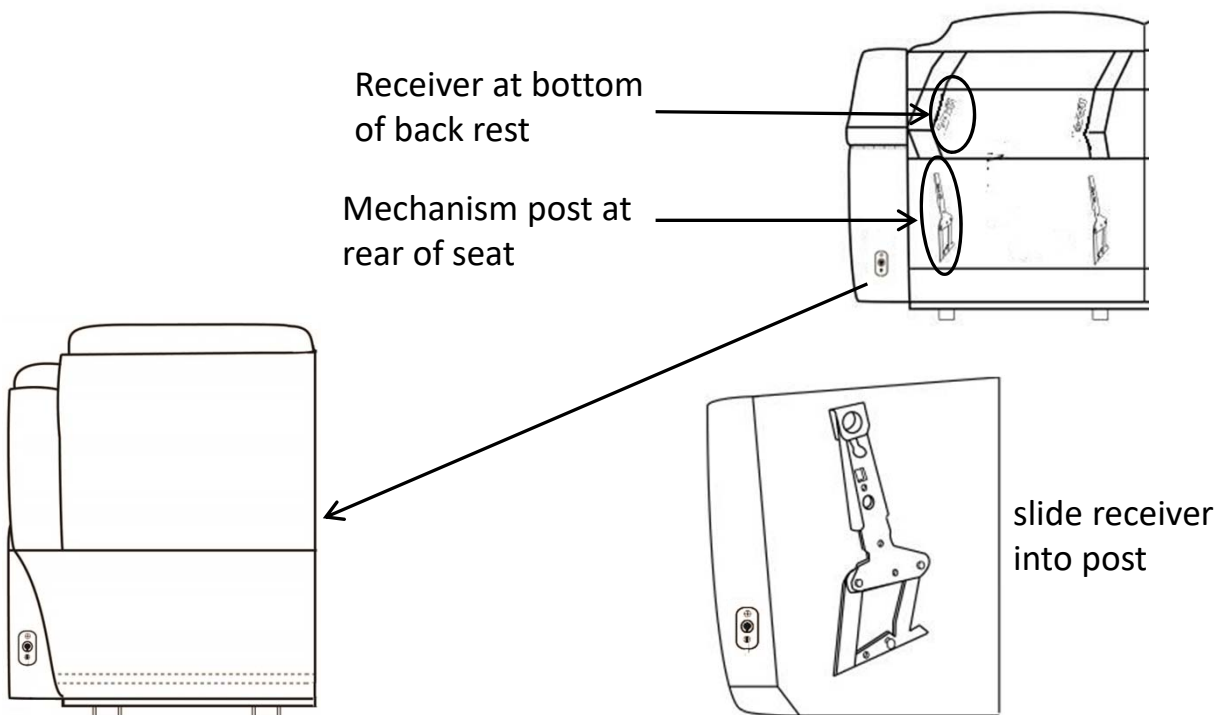
Step4: Take out 5 side legs, then use hexagon key to fasten the legs to the holes at bottom of sofa with bolts and washers.



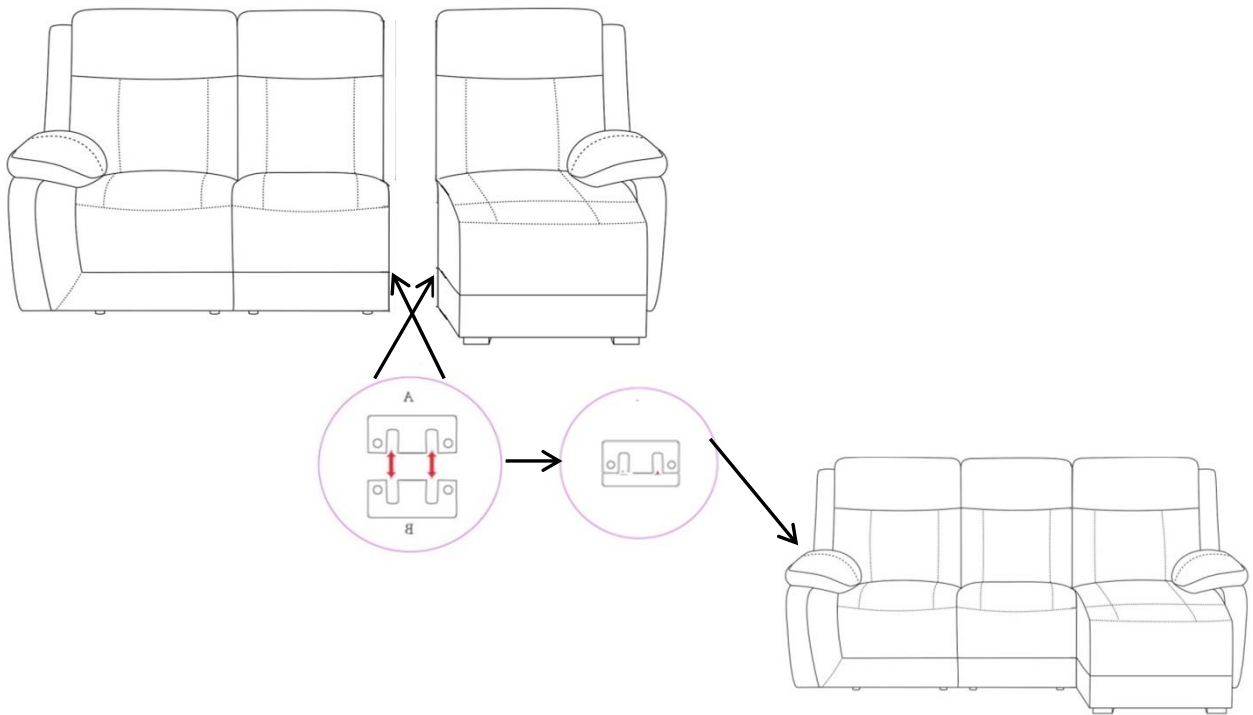
Step5: Take out the centre leg and then screw into middle hole at armless side.



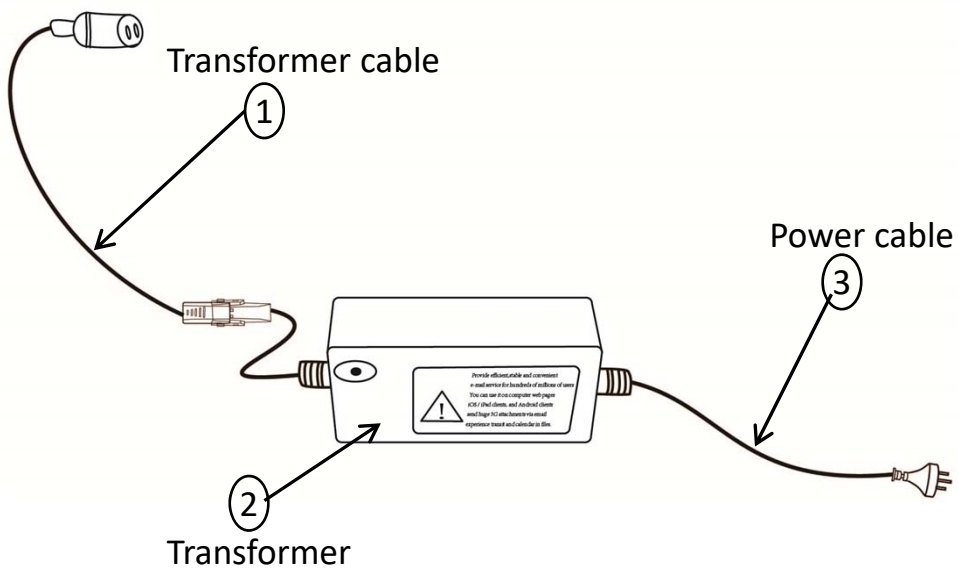
Step6: Slide back receivers into steel mechanism posts in the base of the furniture, and then press both sides of the back firmly into place to ensure the back automatically locks in place.



Step7: Connect left hand facing sofa to right hand facing chaise.

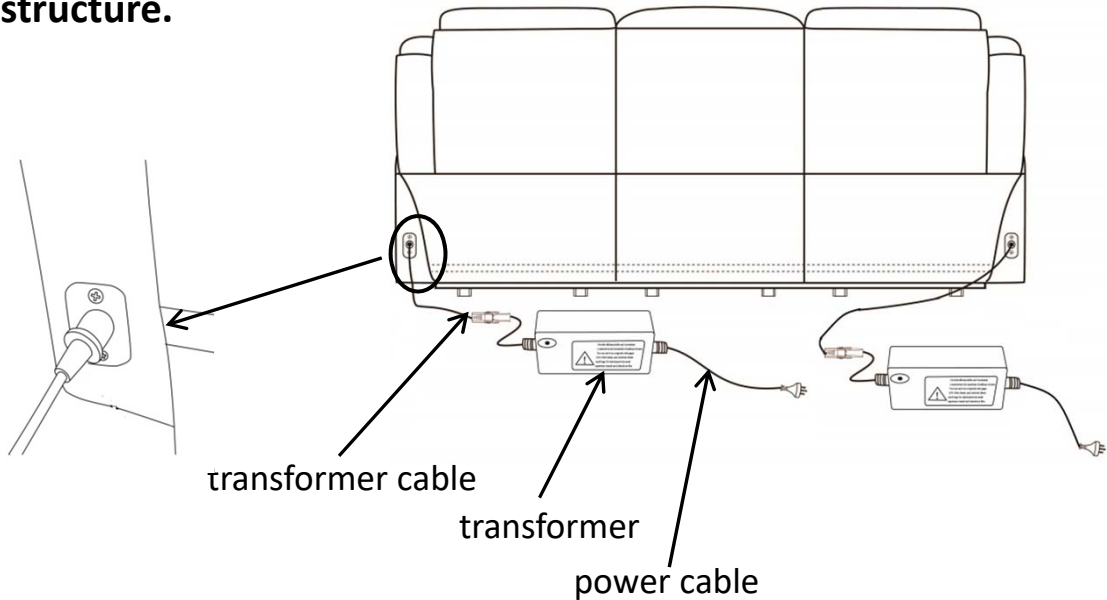


Step8: Take out transformer cable (1), transformer (2) and power cable (3) from power pack and then connect.

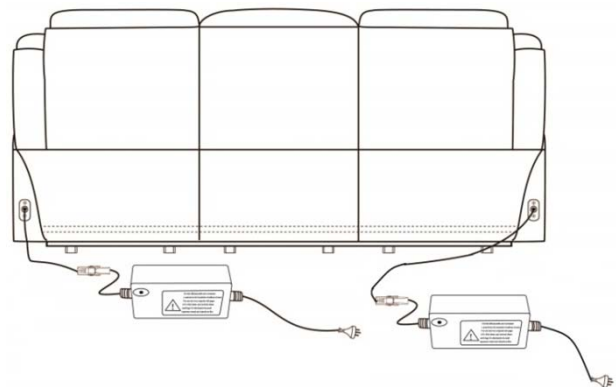
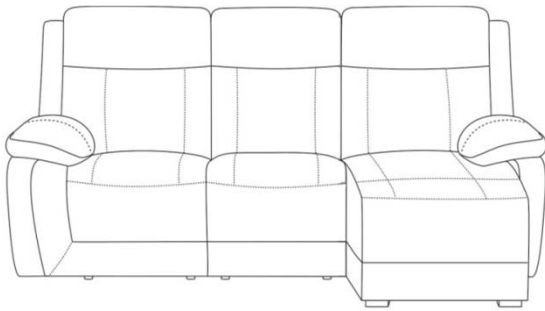


Step9: Plug transformer cables into sockets at back of sofa.

**Safety Note: Transformers and cables are not to be placed under or within the recliner structure.**



**ASSEMBLY IS COMPLETE**



**SAFETY NOTE:**  
**PLEASE ENSURE THAT ALL ELECTRICAL CORDS AND CABLES ARE CLEAR OF THE FRAME AND MECHANISM. A FAILURE TO DO SO MAY SEVER YOUR POWER CORD RESULTING IN SERIOUS INJURY OR DEATH.**



## **READ THESE INSTRUCTIONS THOROUGHLY BEFORE USE:**

### **DANGER:** TO REDUCE THE RISK OF ELECTRIC SHOCK:

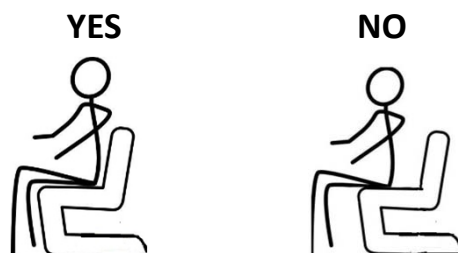
Always unplug from electric outlet before cleaning.

### **WARNING:** RISK OF INJURY

Keep children away from extended footrest and any moving parts.

### **CAUTION:**

- Do not allow children to play on this electric recliner or operate the powered mechanism. The leg rest folds when closing and could possibly cause injury to a child. Always leave the recliner in an upright and closed position when not in use. Keep hands and feet clear of mechanism. Only the occupant should operate it.
- Do ensure fully enter the normal sitting position before using of the recliner. Improper sitting, such as sitting in the front of recliner may result in damage to both mechanism and motor drive bar.



### **POWER CORD SAFETY**

**WARNING:** Unplug and remove power cord from wall when not in use and store out of reach of children.

Take care when moving recliner that wall and transformer cords are not under the base or they may get damaged.

**- NEVER OPERATE ELECTRIC RECLINER IF IT HAS A DAMAGED CORD OR PLUG.**

**WARNING:** TO REDUCE RISK OF BURNS, FIRE, ELECTRIC SHOCK OR PERSONAL INJURY TO PERSONS:

- Use only for its intended purpose
- Never press or activate control switch if you are not seated in recliner
- Only the occupant should activate the control switch
- Never operate with more than one person occupying seat
- Never sit or stand on the footrest

## **CARE AND MAINTENANCE**

### **LEATHER**

WHEN NECESSARY BRUSH OR VACUUM AWAY DUST AND GRIT. WIPE OVER WITH A SOFT, CLEAN, DYEFAST CLOTH.

FOR SPOTS AND SPILLS:  
WIPE EXCESS LIQUID UP IMMEDIATELY WITH AN ABSORBANT CLOTH OR SPONGE.

FOR OVERALL CLEANING:  
WE RECOMMEND CLEANING EVERY 3-4 MONTHS WITH  
· LEATHER CLEANER FOLLOWED BY APPLICATIONS OF  
· LEATHER PROTECTOR.  
ALWAYS FOLLOW DIRECTIONS ON PACKS.

NOTES:  
ACCUMULATION OF PERSPIRATION AND BODY OILS ON ARMPADS, HEADREST ECT. MAY DAMAGE YOUR LEATHER - THESE AREAS MAY REQUIRE MORE FREQUENT CLEANING.

DO NOT EXPOSE LEATHER TO DIRECT SUNLIGHT; INTENSIVE HEAT; WEATHER; OR SOAK UNNECESSARILY. ALWAYS AVOID EXCESSIVE HARD RUBBING.

DO NOT DRY CLEAN OR MACHINE WASH.

DO NOT USE SADDLE SOAP; DETERGENTS; SOLVENTS; ABRASIVES; UNIDENTIFIED LEATHER CLEANERS; SUEDE CLEANERS OR ANY PRODUCTS CONTAINING SILICON OR SOLVENTS.